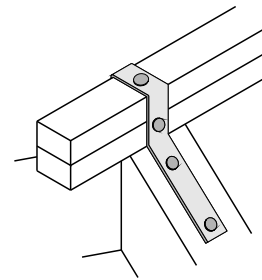


## Installation guide for Imerys 710 dry fix ridge system

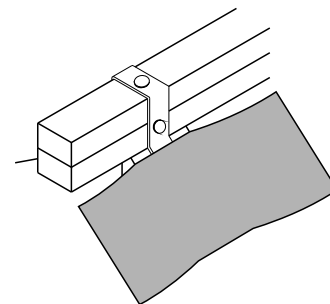


The Imerys 710 dry fix ridge system is extremely fast and easy to install, giving an attractive, secure but discrete mortarless solution

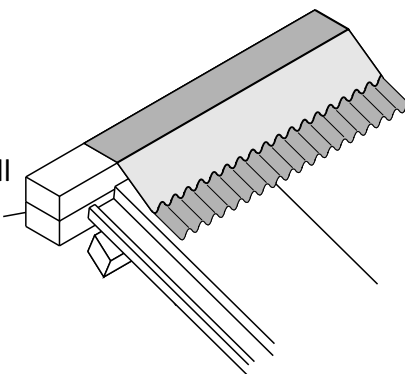
Stack sufficient 50 x 25mm battens to ensure ridge fixing screws penetrate ridge or hip timber by at least 35mm. Secure battens using supplied straps, nailing into rafters and ridge battens.



Install underlay in the usual way. For a ventilated ridge, finish the underlay 30mm from the apex.



Install the tile battens in the usual way. Position the top course battens to ensure the ridge tiles lap the tiles by at least 75mm. Install and fix the tiles as specified. Position and tack the ridge roll centrally over the ridge or hip batten, remove the backing paper and dress onto the tiles.



Position each ridge centrally over the ridge or hip batten and secure using the supplied screws through the ridge clip and hole in the ridge interlock. Click the next ridge into the clip and repeat the fixing process. Install ridge end caps (Ref: 801) and hip end ridges (Ref: 859) where required. Drill and screw unsecured ridge and hip tile ends.

